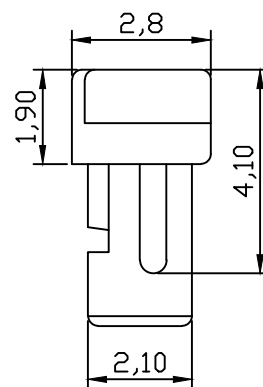
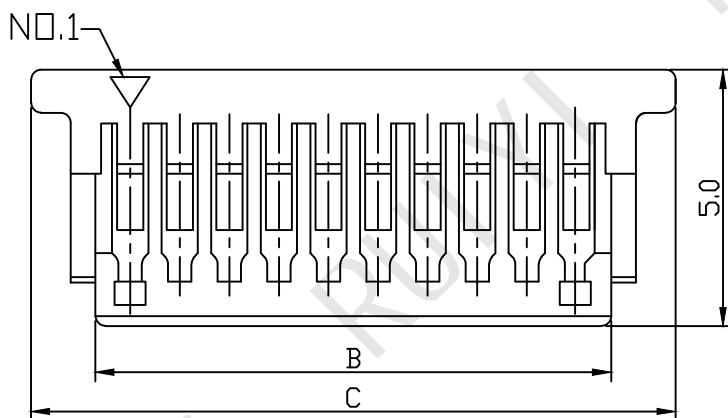
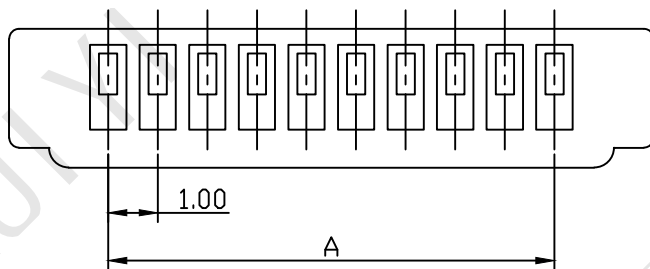


SPECIFICATIONS

Current Rating: 1A AC,DC
 Voltage Rating: 50V AC,DC
 Temperature Range: -25° C ~ +85° C
 Contact Resistance: 20mΩ Max
 Insulation Resistance: 100MΩ Min
 Withstanding Voltage: 500V AC/minute
 Insulator:PBT UL94V-0,Color:Natural (White)

REV	DESCRIPTION	DATE



Circuits	Part No.	Dim(mm)			Q,ty/Bag
		A	B	C	
02	A1001H-02P	1.00	2.40	5.00	1000
03	A1001H-03P	2.00	3.40	6.00	1000
04	A1001H-04P	3.00	4.40	7.00	1000
05	A1001H-05P	4.00	5.40	8.00	1000
06	A1001H-06P	5.00	6.40	9.00	1000
07	A1001H-07P	6.00	7.40	10.00	1000
08	A1001H-08P	7.00	8.40	11.00	1000
09	A1001H-09P	8.00	9.40	12.00	1000
10	A1001H-10P	9.00	10.40	13.00	1000
11	A1001H-11P	10.00	11.40	14.00	1000
12	A1001H-12P	11.00	12.40	15.00	1000
13	A1001H-13P	12.00	13.40	16.00	1000
14	A1001H-14P	13.00	14.40	17.00	1000
15	A1001H-15P	14.00	15.40	18.00	1000
16	A1001H-16P	15.00	16.40	19.00	1000
17	A1001H-17P	16.00	17.40	20.00	1000
18	A1001H-18P	17.00	18.40	21.00	1000
19	A1001H-19P	18.00	19.40	22.00	1000
20	A1001H-20P	19.00	20.40	23.00	1000

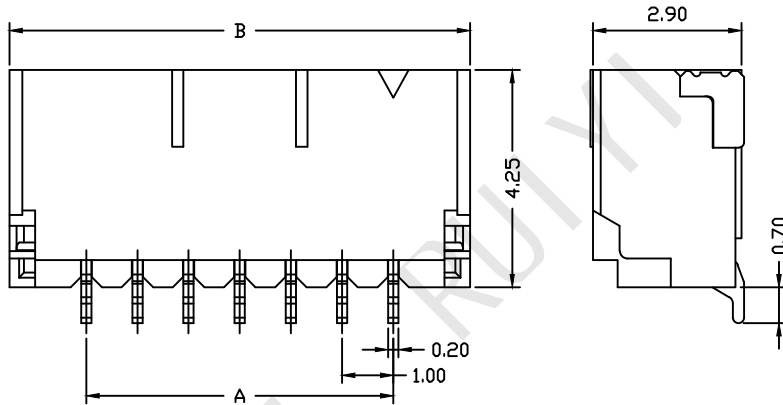
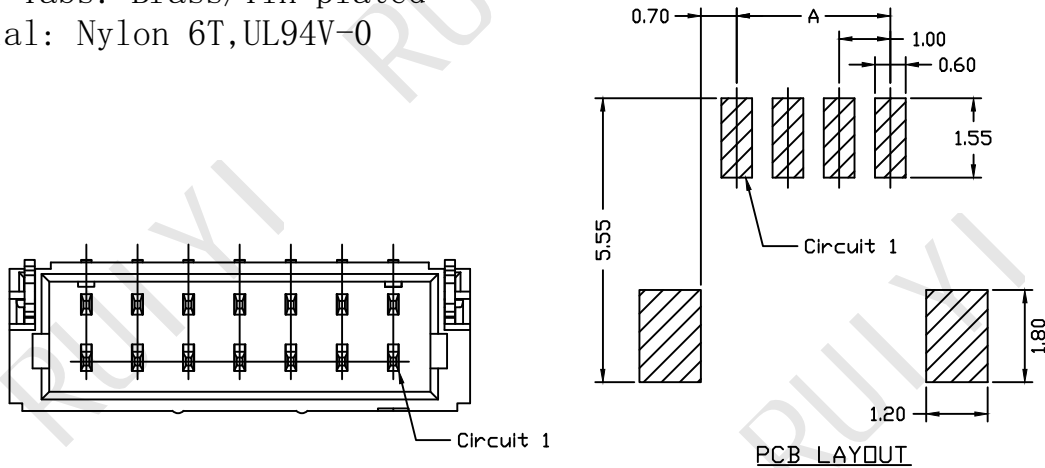
DONGGUAN RUIYI ELECTRONIC CO., LTD.

UNIT	SHEET	ISSUING DATE	TITLE:	
mm	1 of 1		A1001-NP	
DRAWN BY	APPROVED BY	APPROVED BY	DATE	CUSTOMER
			2015-04-09	
GENERAL TOLERANCE			DRAW NO.:	REV.
X.X±0.8	PROJECTION		A1001H-NP	A0
X.XX±0.5	▽			
X.XXX±0.3				

SPECIFICATIONS

Current Rating: 1A AC,DC
 Voltage Rating: 50V AC,DC
 Temperature Range: -25° C ~ +85° C
 Contact Resistance: 20mW Max.
 Insulation Resistance: 100MW Min.
 Withstanding Voltage: 500V AC/minute
 Pin Material: Phosphor Bronze/Tin-plated
 Solder Tabs: Brass/Tin-plated
 Material: Nylon 6T,UL94V-0

REV	DESCRIPTION	DATE



Circuits	PART NO.	Dimensions	
		A	B
02	A1001WR-S-02P	1.00	4.00
03	A1001WR-S-03P	2.00	5.00
04	A1001WR-S-04P	3.00	6.00
05	A1001WR-S-05P	4.00	7.00
06	A1001WR-S-06P	5.00	8.00
07	A1001WR-S-07P	6.00	9.00
08	A1001WR-S-08P	7.00	10.00
09	A1001WR-S-09P	8.00	11.00
10	A1001WR-S-10P	9.00	12.00
11	A1001WR-S-11P	10.00	13.00
12	A1001WR-S-12P	11.00	14.00
13	A1001WR-S-13P	12.00	15.00
14	A1001WR-S-14P	13.00	16.00
15	A1001WR-S-15P	14.00	17.00
16	A1001WR-S-16P	15.00	18.00
17	A1001WR-S-17P	16.00	19.00
18	A1001WR-S-18P	17.00	20.00
19	A1001WR-S-19P	18.00	21.00
20	A1001WR-S-20P	19.00	22.00

DONGGUAN RUIYI ELECTRONIC CO., LTD.

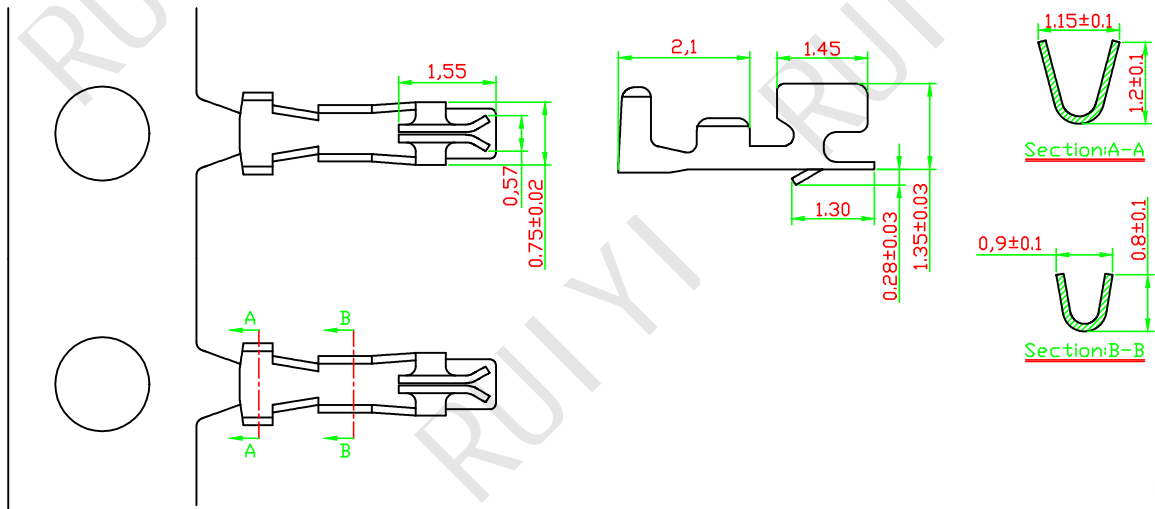
UNIT	SHEET	ISSUING DATE	TITLE:	
mm	1 of 1		A1001WR-NP	
DRAWN BY	APPROVED BY	APPROVED BY	DATE	CUSTOMER
			2015-04-09	
GENERAL TOLERANCE			DRAW NO.:	REV.
X.X±0.8	PROJECTION		A1001WR-NP	AO
X.XX±0.5	⊕			
X.XXX±0.3				

REV	DESCRIPTION	DATE

Ordering Information & Specifications

Part No	Wire Range	Material	Finish
A1001F-TP	AWG#32-#28	Phosphor Bronze	Tin-plated

Note: E-Stamping before Tin-plated



DONGGUAN RUIYI ELECTRONIC CO., LTD.

UNIT	SHEET	ISSUING DATE	TITLE:	
mm	1 of 1		A1001-TPE	
DRAWN BY	APPROVED BY	APPROVED BY	DATE	CUSTOMER
			2015-04-09	
GENERAL TOLERANCE				
X.X±0.8	PROJECTION		DRAW NO.:	REV.
X.XX±0.5	⊲ ⊳		A1001-TPE	A0
X.XXX±0.3				