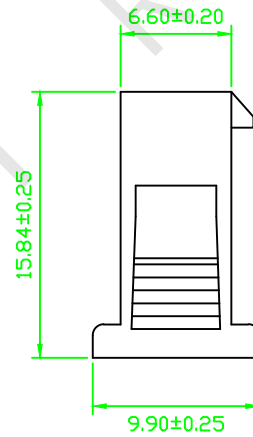
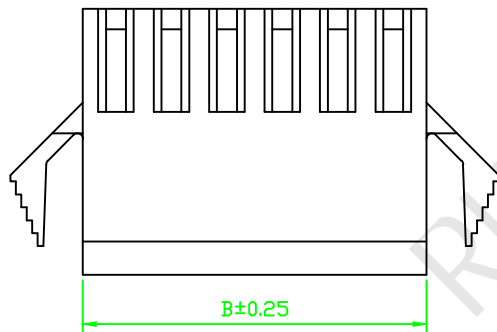
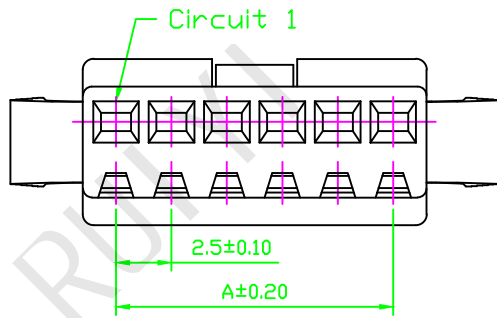
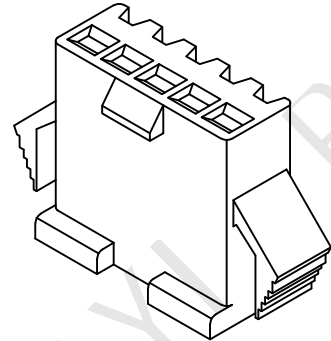


REV	DESCRIPTION	DATE

SPECIFICATIONS:

Current Rating: 3A AC,DC
Voltage Rating: 250V AC,DC
Temperature Range: -25° C ~ +85° C
Contact Resistance: 10mΩ Max
Insulation Resistance: 500MΩ Min
Withstanding Voltage: 1500V AC/minute
Material: Nylon 66,UL94V-0
Color: Black



PART NO.	Dimensions	
	A	B
C2505HF-02P	2.50	5.50
C2505HF-03P	5.00	8.00
C2505HF-04P	7.50	10.50
C2505HF-05P	10.00	13.00
C2505HF-06P	12.50	15.50
C2505HF-07P	15.00	18.00
C2505HF-08P	17.50	20.50
C2505HF-09P	20.00	23.00
C2505HF-10P	22.50	25.50
C2505HF-11P	25.00	28.00
C2505HF-12P	27.50	30.50

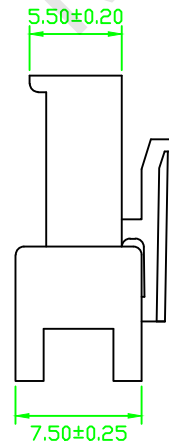
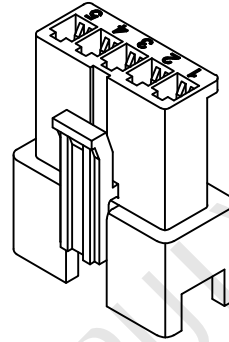
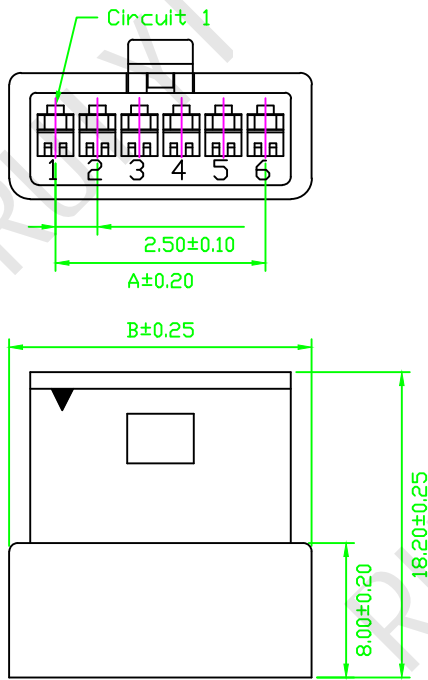
DONGGUAN RUIYI ELECTRONIC CO., LTD.

UNIT	SHEET	ISSUING DATE	TITLE:	
mm	1 of 1		SM-NP	
DRAWN BY	APPROVED BY	APPROVED BY	DATE	CUSTOMER
			2005-11-05	
GENERAL TOLERANCE			DRAW NO.:	REV.
X.X±0.8	PROJECTION		C2505HF-NP	AO
X.XX±0.5	⊲ ⊕			
X.XXX±0.3				

REV	DESCRIPTION	DATE

SPECIFICATIONS:

Current Rating: 3A AC,DC
Voltage Rating: 250V AC,DC
Temperature Range: -25° C ~ +85° C
Contact Resistance: 10mΩ Max
Insulation Resistance: 500MΩ Min
Withstanding Voltage: 1500V AC/minute
Material: Nylon 66,UL94V-0
Color: Black



PART NO.	Dimensions	
	A	B
C2505HM-02P	2.50	8.00
C2505HM-03P	5.00	10.50
C2505HM-04P	7.50	13.00
C2505HM-05P	10.00	15.50
C2505HM-06P	12.50	18.00
C2505HM-07P	15.00	20.50
C2505HM-08P	17.50	23.00
C2505HM-09P	20.00	25.50
C2505HM-10P	22.50	28.00
C2505HM-11P	25.00	30.50
C2505HM-12P	27.50	33.00

DONGGUAN RUIYI ELECTRONIC CO., LTD.

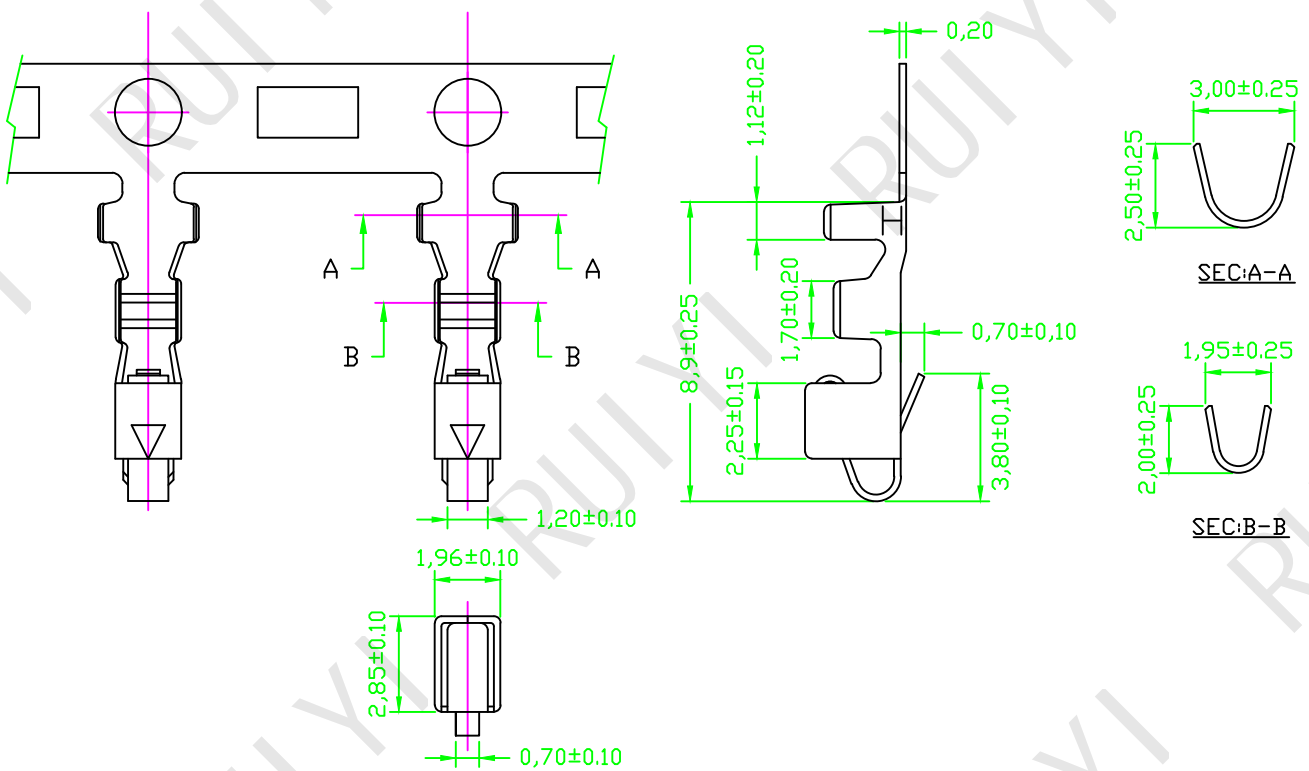
UNIT	SHEET	ISSUING DATE	TITLE:		
mm	1 of 1		SM-NP		
DRAWN BY		APPROVED BY	APPROVED BY	DATE	CUSTOMER
GENERAL TOLERANCE			2005-11-05		
X.X±0.8 X.XX±0.5 X.XXX±0.3		PROJECTION	DRAW NO.:	REV.	
			C2505HM-NP	AO	

REV	DESCRIPTION	DATE

Ordering Information & Specifications

Part No	Wire Range	Insulation O.D.	Material	Finish	Qty/reel
C2505F-TBE	AWG#22-#28	1.80mm(max)	Brass	Tin-plated	7,000pcs

Note: E-Stamping before Tin-plated



DONGGUAN RUIYI ELECTRONIC CO., LTD.

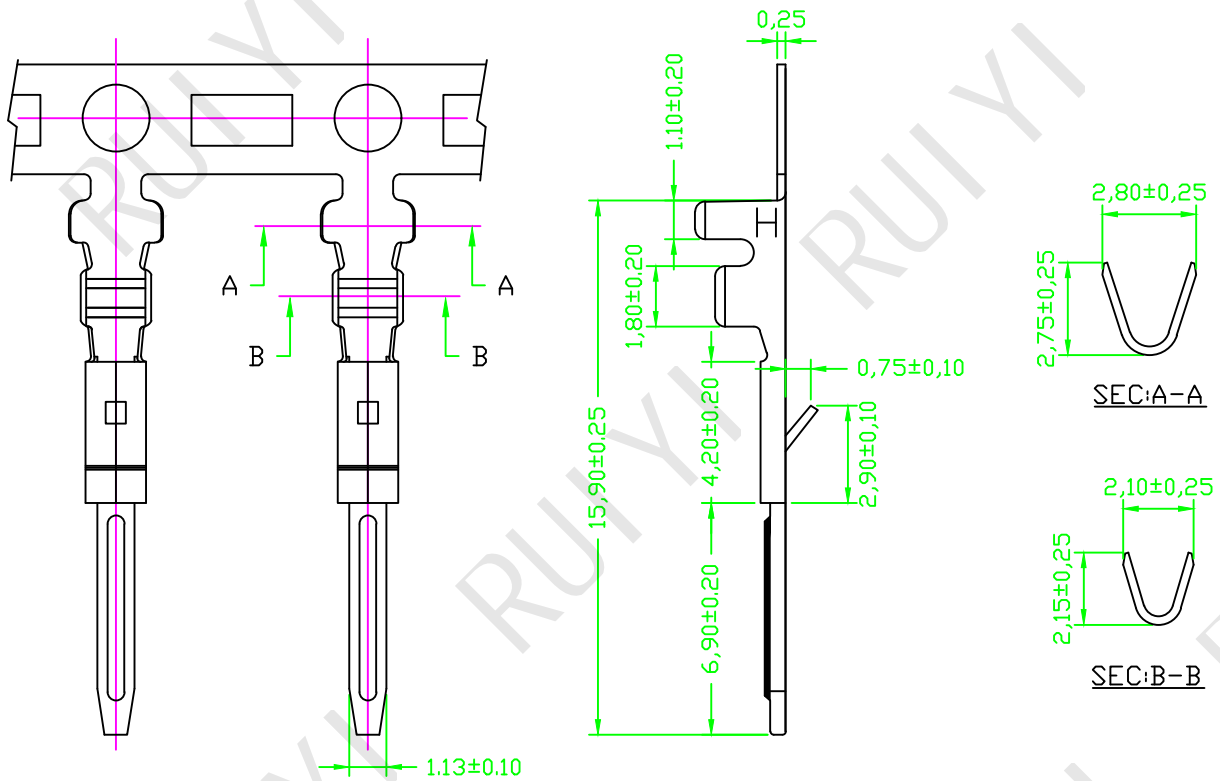
UNIT	SHEET	ISSUING DATE	TITLE:	
mm	1 of 1		SMF-TP	
DRAWN BY		APPROVED BY	APPROVED BY	
GENERAL TOLERANCE			DATE	CUSTOMER
X.X±0.8 X.XX±0.5 X.XXX±0.3			2005-11-05	
PROJECTION		DRAW NO.:		REV.
		C2505F-TP		AO

REV	DESCRIPTION	DATE

Ordering Information & Specifications

Part No	Wire Range	Insulation O.D.	Material	Finish	Qty/reel
C2505M-TBE	AWG#22-#28	1.80mm(max)	Brass	Tin-plated	7,000pcs

Note:E-Stamping before Tin-plated



DONGGUAN RUIYI ELECTRONIC CO., LTD.

UNIT	SHEET	ISSUING DATE	TITLE:	
mm	1 of 1		SMM-TP	
DRAWN BY		APPROVED BY	APPROVED BY	
GENERAL TOLERANCE			DATE	CUSTOMER
X.X±0.8 X.XX±0.5 X.XXX±0.3			2005-11-05	
PROJECTION		DRAW NO.:		REV.
		C2505M-TP		AO