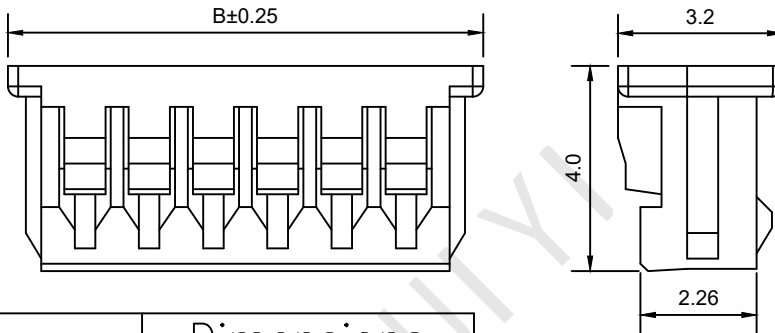
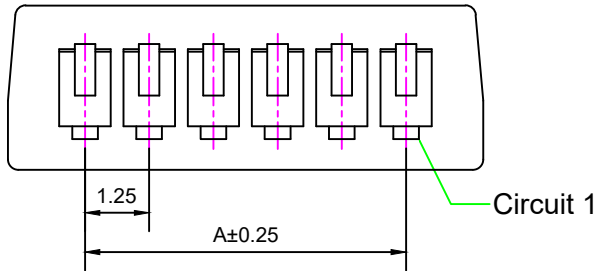
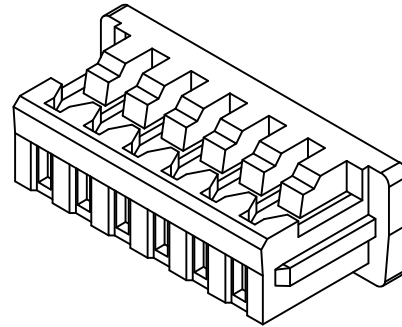


**SPECIFICATIONS**

Current Rating: 1A AC,DC  
 Voltage Rating: 125V AC,DC  
 Temperature Range: -25° C ~ +85° C  
 Contact Resistance: 20mΩ Max.  
 Insulation Resistance: 100MΩ Min.  
 Withstanding Voltage: 500V AC/minute  
 Material: Nylon66 UL94V-0

| REV | DESCRIPTION | DATE |
|-----|-------------|------|
|     |             |      |
|     |             |      |



| PART NO.   | Dimensions |       |
|------------|------------|-------|
|            | A          | B     |
| A1250H-02P | 1.25       | 4.25  |
| A1250H-03P | 2.50       | 5.50  |
| A1250H-04P | 3.75       | 6.75  |
| A1250H-05P | 5.00       | 8.00  |
| A1250H-06P | 6.25       | 9.25  |
| A1250H-07P | 7.50       | 10.50 |
| A1250H-08P | 8.75       | 11.75 |
| A1250H-09P | 10.00      | 13.00 |
| A1250H-10P | 11.25      | 14.25 |
| A1250H-11P | 12.50      | 15.50 |
| A1250H-12P | 13.75      | 16.75 |
| A1250H-13P | 15.00      | 18.00 |
| A1250H-14P | 16.25      | 19.25 |
| A1250H-15P | 17.50      | 20.50 |
| A1250H-16P | 18.75      | 21.75 |
| A1250H-17P | 20.00      | 23.00 |
| A1250H-18P | 21.25      | 24.25 |

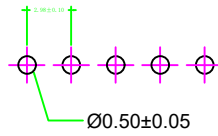
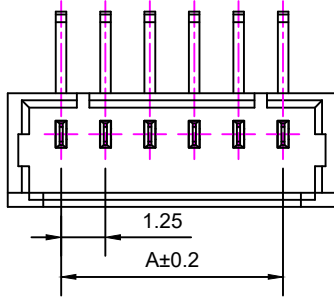
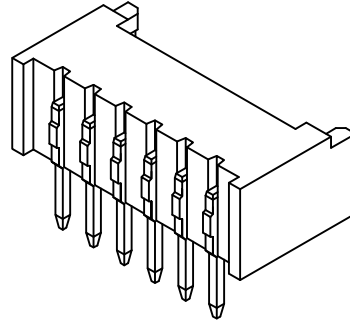
DONGGUAN RUIYI ELECTRONIC CO., LTD.

|                   |             |              |            |          |
|-------------------|-------------|--------------|------------|----------|
| UNIT              | SHEET       | ISSUING DATE | TITLE:     |          |
| mm                | 1 of 1      |              | A1250-NP   |          |
| DRAWN BY          | APPROVED BY | APPROVED BY  | DATE       | CUSTOMER |
|                   |             |              | 2007-12-09 |          |
| GENERAL TOLERANCE |             |              | DRAW NO.:  | REV.     |
| X.X±0.8           | PROJECTION  |              | A1250-NP   | A0       |
| X.XX±0.5          | ⊳ ⊕         |              |            |          |
| X.XXX±0.3         |             |              |            |          |

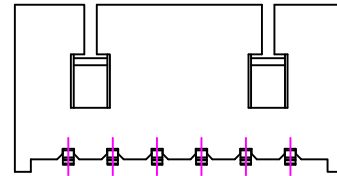
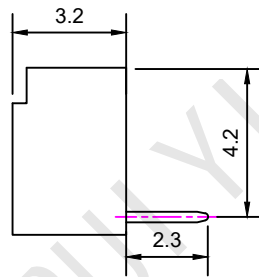
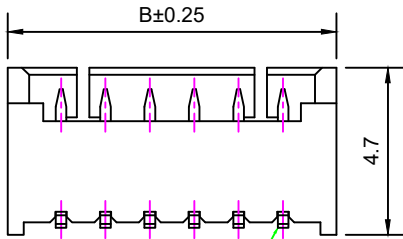
**SPECIFICATIONS**

Current Rating: 1A AC,DC  
 Voltage Rating: 125V AC,DC  
 Temperature Range: -25° C ~ +85° C  
 Contact Resistance: 20mΩ Max.  
 Insulation Resistance: 100MΩ Min.  
 Withstanding Voltage: 500V AC/minute  
 Material: Nylon66 UL94V-0

| REV | DESCRIPTION | DATE |
|-----|-------------|------|
|     |             |      |
|     |             |      |



P.C.B. LAYOUT



Circuit 1

| PART NO.    | Dimensions |       |
|-------------|------------|-------|
|             | A          | B     |
| A1250WR-02P | 1.25       | 4.25  |
| A1250WR-03P | 2.50       | 5.50  |
| A1250WR-04P | 3.75       | 6.75  |
| A1250WR-05P | 5.00       | 8.00  |
| A1250WR-06P | 6.25       | 9.25  |
| A1250WR-07P | 7.50       | 10.50 |
| A1250WR-08P | 8.75       | 11.75 |
| A1250WR-09P | 10.00      | 13.00 |
| A1250WR-10P | 11.25      | 14.25 |
| A1250WR-11P | 12.50      | 15.50 |
| A1250WR-12P | 13.75      | 16.75 |
| A1250WR-13P | 15.00      | 18.00 |
| A1250WR-14P | 16.25      | 19.25 |
| A1250WR-15P | 17.50      | 20.50 |
| A1250WR-16P | 18.75      | 21.75 |
| A1250WR-17P | 20.00      | 23.00 |
| A1250WR-18P | 21.25      | 24.25 |

DONGGUAN RUIYI ELECTRONIC CO., LTD.

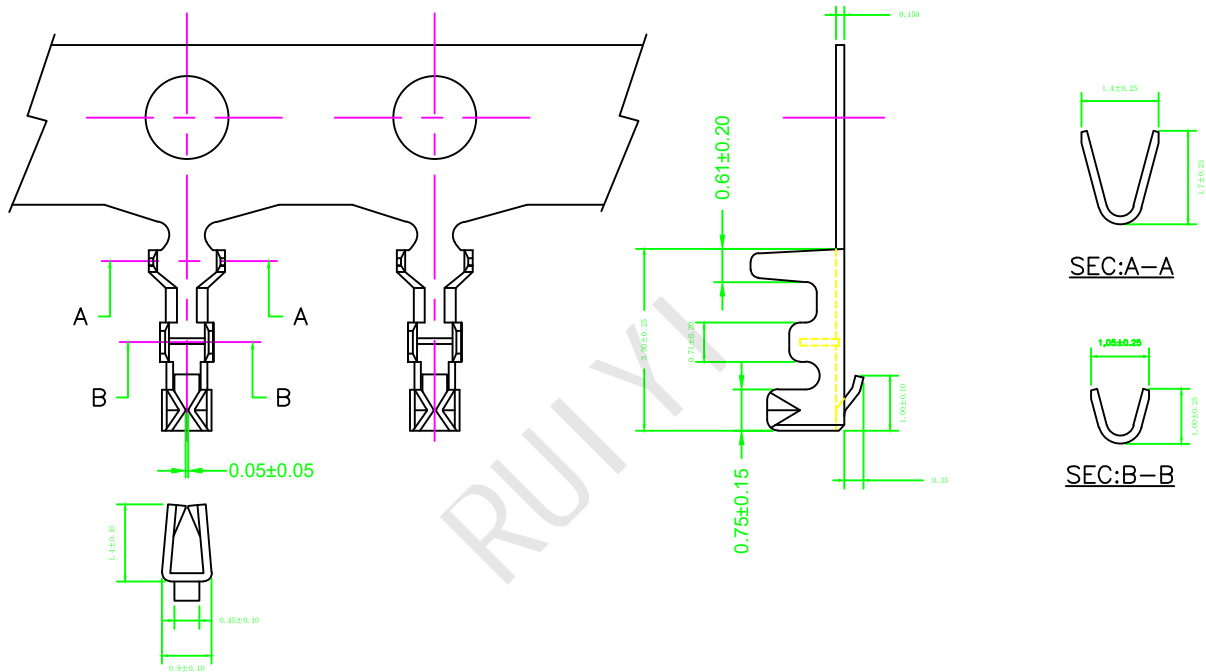
|                   |             |              |            |          |
|-------------------|-------------|--------------|------------|----------|
| UNIT              | SHEET       | ISSUING DATE | TITLE:     |          |
| mm                | 1 of 1      |              | A1250WR-NP |          |
| DRAWN BY          | APPROVED BY | APPROVED BY  | DATE       | CUSTOMER |
|                   |             |              | 2007-12-09 |          |
| GENERAL TOLERANCE |             | PROJECTION   | DRAW NO.:  | REV.     |
| X.X±0.8           |             | ≡ ⊕          | A1250WR-NP | A0       |
| X.XX±0.5          |             |              |            |          |
| X.XXX±0.3         |             |              |            |          |

| REV | DESCRIPTION | DATE |
|-----|-------------|------|
|     |             |      |
|     |             |      |

Ordering Information & Specifications

| Part No   | Wire Range | Insulation O.D. | Material        | Finish     | Qty/reel  |
|-----------|------------|-----------------|-----------------|------------|-----------|
| A1250-TPE | AWG#28-#32 | 1.00mm(max)     | Phosphor Bronze | Tin-plated | 15,000pcs |
| A1250-GPE | AWG#28-#32 | 1.00mm(max)     | Phosphor Bronze | Gold-flash | 15,000pcs |

Note:E-Stamping before Tin-plated 100u" MIN. or Gold-flash



DONGGUAN RUIYI ELECTRONIC CO., LTD.

| UNIT              | SHEET       | ISSUING DATE | TITLE:     |          |
|-------------------|-------------|--------------|------------|----------|
| mm                | 1 of 1      |              | A1250-TPE  |          |
| DRAWN BY          | APPROVED BY | APPROVED BY  | DATE       | CUSTOMER |
|                   |             |              | 2007-12-09 |          |
| GENERAL TOLERANCE |             |              |            |          |
| X.X $\pm$ 0.8     | PROJECTION  |              | DRAW NO.:  | REV.     |
| X.XX $\pm$ 0.5    |             |              | A1250-TPE  | A0       |
| X.XXX $\pm$ 0.3   |             |              |            |          |