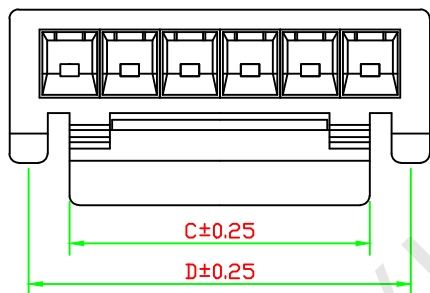
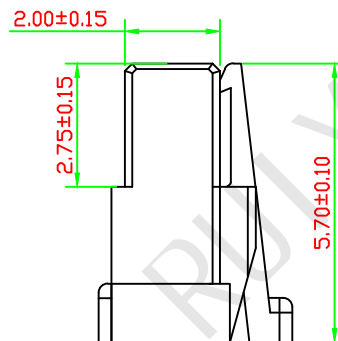
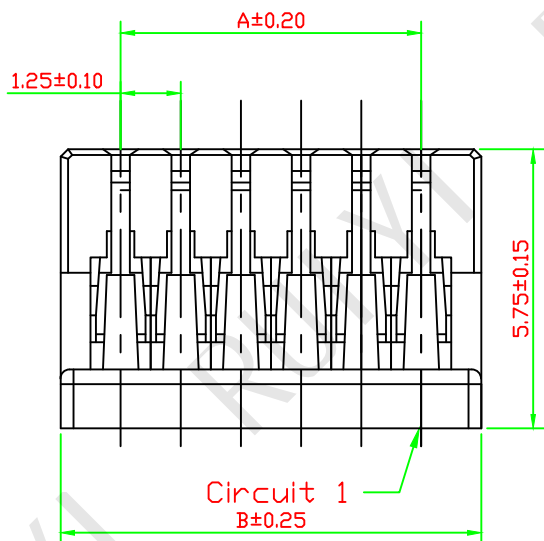
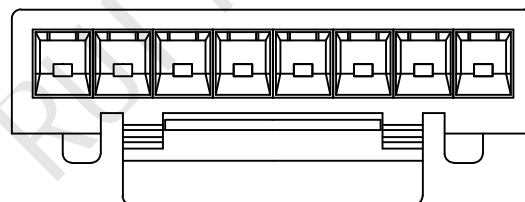


SPECIFICATIONS
 Current Rating: 1A AC,DC
 Voltage Rating: 50V AC,DC
 Temperature Range: -25°C ~ +85°C
 Contact Resistance: 30mΩ Max.
 Insulation Resistance: 100MΩMin.
 Withstanding Voltage: 500V AC/minute
 Material: Nylon,UL94V-0
 Color: Natural(White)

Ordering Information & Dimensions



2~7PIN



8~N PIN

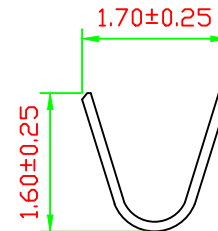
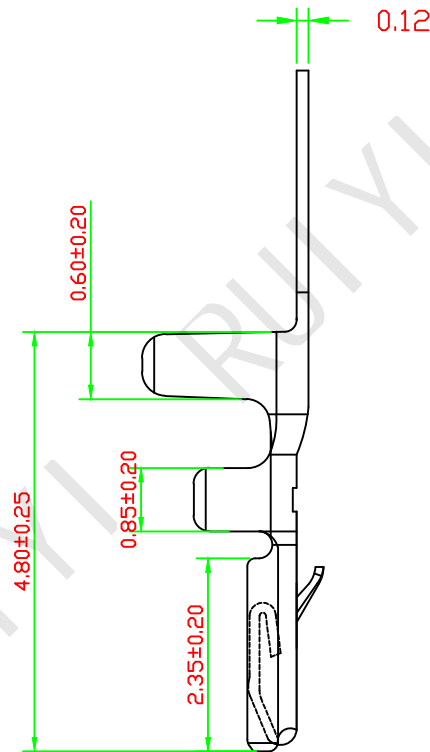
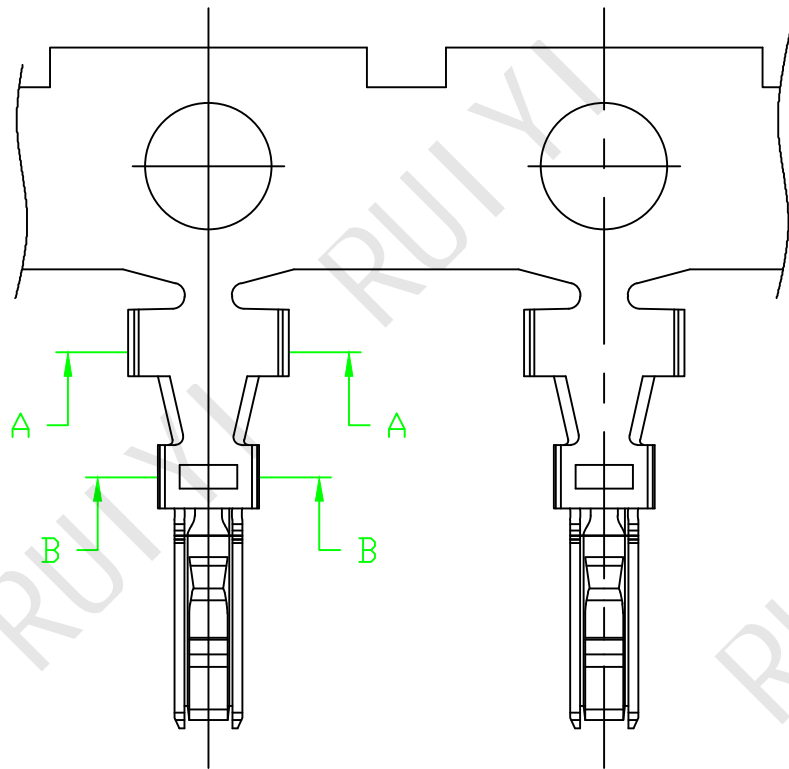
PART NO.	Dimensions			
	A	B	C	D
A1258H-02P	--	3.65	1.95	3.20
A1258H-03P	2.50	4.90	3.00	4.20
A1258H-04P	3.75	6.15	4.25	5.45
A1258H-05P	5.00	7.40	4.25	6.70
A1258H-06P	6.25	8.65	6.25	8.00
A1258H-07P	7.50	9.90	6.25	9.25
A1258H-08P	8.75	11.15	6.25	8.00
A1258H-09P	10.00	12.40	6.25	8.00
A1258H-10P	11.25	13.65	8.25	10.00
A1258H-11P	12.50	14.90	8.25	10.00
A1258H-12P	13.75	16.15	8.25	10.00
A1258H-13P	15.00	17.40	8.25	10.00
A1258H-14P	16.25	18.65	8.25	10.00
A1258H-15P	17.50	19.90	8.25	10.00

Unit: mm

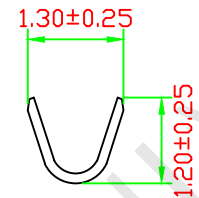
				DONGGUAN RUIYI ELECTRONIC CO., LTD.	
		UNIT	SHEET	TITLE:	
		mm	1 of 1		
		DRAWN BY	APPROVED BY	1.25mm PITCH HOUSING	
		GENERAL TOLERANCE			
		X.X±0.25	PROJECTION		
AO	NEW RELEASE	2012.10.10	X.XX±0.15	DRAW NO.:	REV. AO
REV.	DESCRIPTION	DATE	X.XXX±0.05		

1.25mm PITCH HOUSING

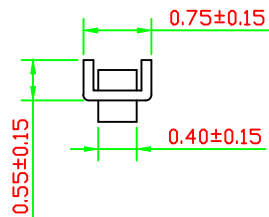
DRAW NO.: A1258H-XP-15



SEC:A-A



SEC:B-B



Ordering Information & Specifications

Unit: mm

Part No	Wire Range	Insulation O.D.	Material	Finish	Qty/reel
A1258-TPE	AWG#28-#32	0.80mm(max)	Phosphor Bronze	Tin-plated	15,000pcs
A1258-GPE	AWG#28-#32	0.80mm(max)	Phosphor Bronze	Gold-plated	15,000pcs

Note: E-Stamping before Tin-plated Or Gold-plated

DONGGUAN RUIYI ELECTRONIC CO., LTD.

REV.	DESCRIPTION	DATE	UNIT mm	SHEET 1 of 1	TITLE:
A0	NEW RELEASE	2012.10.10	X.X±0.25	PROJECTION	1.25mm PITCH CRIMP TERMINAL
			X.XX±0.15		
			X.XXX±0.05		
					DRAW NO.: A1258-XX-15
					REV. A0