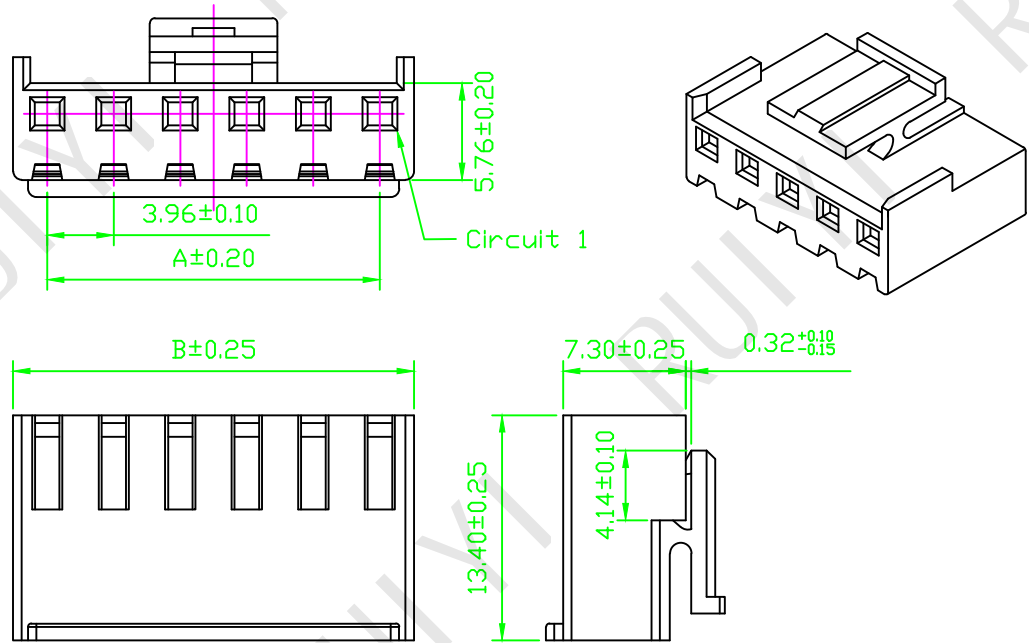


SPECIFICATIONS

Current Rating: 7A AC,DC
 Voltage Rating: 250V AC,DC
 Temperature Range: -25° C ~ +85° C
 Contact Resistance: 10mΩ Max
 Insulation Resistance: 1000MΩ Min
 Withstanding Voltage: 1500V AC/minute
 Material: Nylon 66,UL94V-0

| REV | DESCRIPTION | DATE |
|-----|-------------|------|
| | | |



| PART NO. | Dimensions | |
|------------|------------|-------|
| | A | B |
| A3961H-02P | 3.96 | 8.02 |
| A3961H-03P | 7.92 | 11.98 |
| A3961H-04P | 11.88 | 15.94 |
| A3961H-05P | 15.84 | 19.90 |
| A3961H-06P | 19.80 | 23.86 |
| A3961H-07P | 23.76 | 27.82 |
| A3961H-08P | 27.72 | 31.78 |
| A3961H-09P | 31.68 | 35.74 |
| A3961H-10P | 35.64 | 39.70 |
| A3961H-11P | 39.60 | 43.66 |
| A3961H-12P | 43.56 | 47.62 |
| A3961H-13P | 47.52 | 51.58 |
| A3961H-14P | 51.48 | 55.54 |
| A3961H-15P | 55.44 | 59.50 |

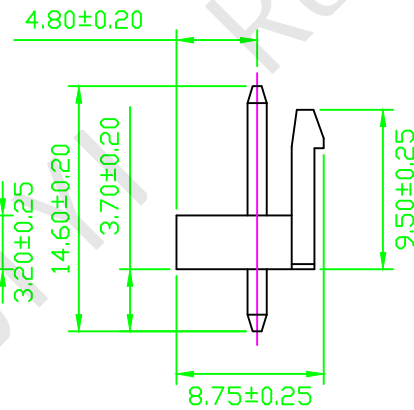
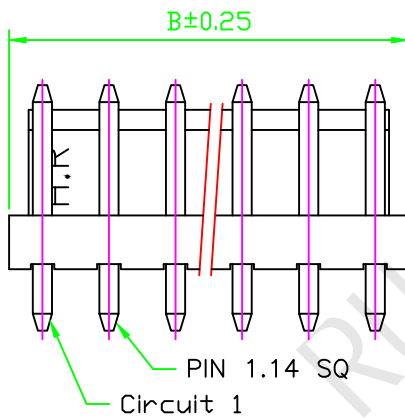
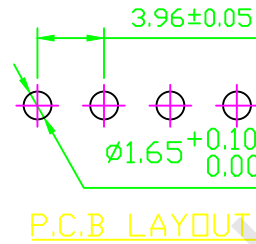
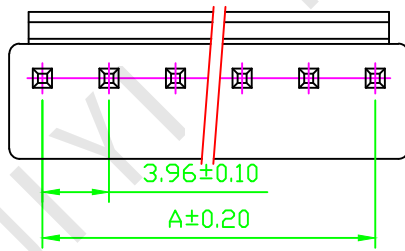
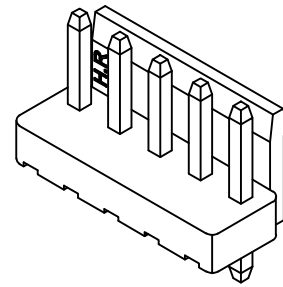
DONGGUAN RUIYI ELECTRONIC CO., LTD.

| | | | | |
|-------------------|-------------|--------------|------------|----------|
| UNIT | SHEET | ISSUING DATE | TITLE: | |
| mm | 1 of 1 | | A3691-NP | |
| DRAWN BY | APPROVED BY | APPROVED BY | DATE | CUSTOMER |
| | | | 2007-12-09 | |
| GENERAL TOLERANCE | | | DRAW NO.: | REV. |
| X.X±0.8 | X.XX±0.5 | X.XXX±0.3 | A3961-NP | AO |
| PROJECTION | | | | |
| | | | | |

SPECIFICATIONS

Current Rating: 7A AC,DC
 Voltage Rating: 250V AC,DC
 Temperature Range: -25° C ~ +85° C
 Contact Resistance: 10mΩ Max
 Insulation Resistance: 1000MΩ Min
 Withstanding Voltage: 1500V AC/minute
 Material: Nylon 66,UL94V-0

| REV | DESCRIPTION | DATE |
|-----|-------------|------|
| | | |



| PART NO. | Dimensions | |
|-------------|------------|-------|
| | A | B |
| A3961WV-02P | 3.96 | 7.92 |
| A3961WV-03P | 7.92 | 11.88 |
| A3961WV-04P | 11.88 | 15.84 |
| A3961WV-05P | 15.84 | 19.80 |
| A3961WV-06P | 19.80 | 23.76 |
| A3961WV-07P | 23.76 | 27.72 |
| A3961WV-08P | 27.72 | 31.68 |
| A3961WV-09P | 31.68 | 35.64 |
| A3961WV-10P | 35.64 | 39.60 |
| A3961WV-11P | 39.60 | 43.56 |
| A3961WV-12P | 43.56 | 47.52 |
| A3961WV-13P | 47.52 | 51.48 |
| A3961WV-14P | 51.48 | 55.44 |
| A3961WV-15P | 55.44 | 59.40 |

DONGGUAN RUIYI ELECTRONIC CO., LTD.

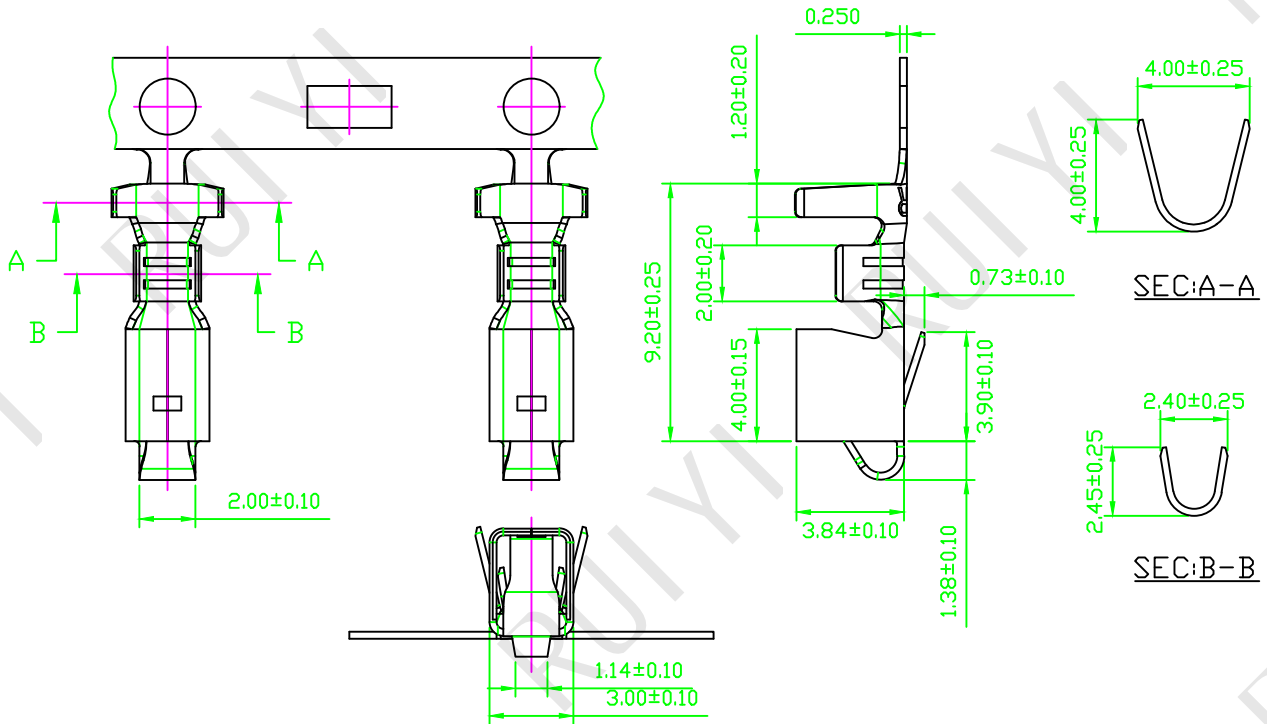
| | | | | | |
|-------------------|--------|--------------|-------------|------------|----------|
| UNIT | SHEET | ISSUING DATE | TITLE: | | |
| mm | 1 of 1 | | A3691WV-NP | | |
| DRAWN BY | | APPROVED BY | APPROVED BY | DATE | CUSTOMER |
| | | | | 2007-12-09 | |
| GENERAL TOLERANCE | | | DRAW NO.: | | |
| X.X±0.8 | | PROJECTION | | A3961WV-NP | |
| X.XX±0.5 | | ⊲ ⊕ | | REV. | |
| X.XXX±0.3 | | | | AO | |

| REV | DESCRIPTION | DATE |
|-----|-------------|------|
| | | |
| | | |

Ordering Information & Specifications

| Part No. | Wire Range | Insulation O.D. | Material | Finish | Qty/reel |
|-----------|------------|-----------------|-----------------|------------|----------|
| A3961-TBE | AWG#18-#22 | 3.00mm(max) | Brass | Tin-plated | 4,000pcs |
| A3961-TPE | AWG#18-#22 | 3.00mm(max) | Phosphor Bronze | Tin-plated | |

Note: E-Stamping before Tin-plated



DONGGUAN RUIYI ELECTRONIC CO., LTD.

| UNIT | SHEET | ISSUING DATE | TITLE: | |
|-------------------|--------|--------------|------------|-----------------------|
| mm | 1 of 1 | | A3961-TP | |
| DRAWN BY | | APPROVED BY | DATE | CUSTOMER |
| | | | 2007-12-09 | |
| GENERAL TOLERANCE | | | | |
| X.X±0.8 | | PROJECTION | | DRAW NO.: A3961-TP |
| X.XX±0.5 | | ⊲ ⊕ | | |
| X.XXX±0.3 | | | | REV. A0 |