

REV	DESCRIPTION	DATE

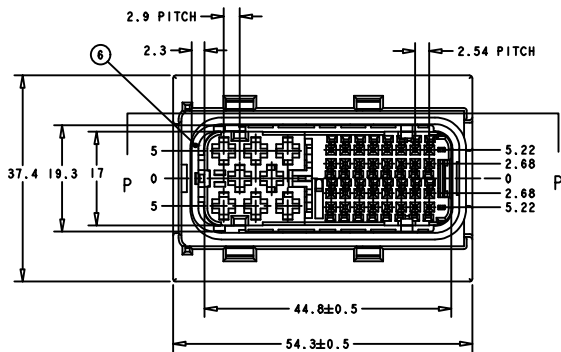
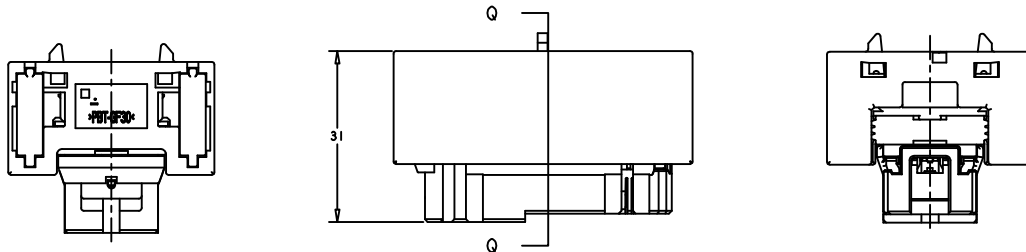
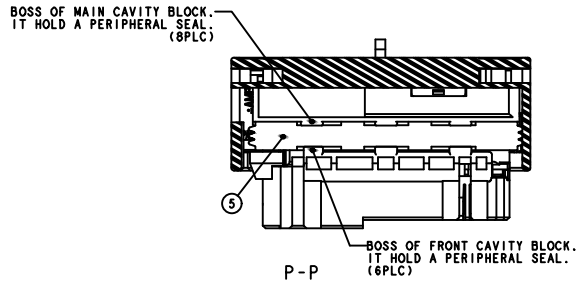
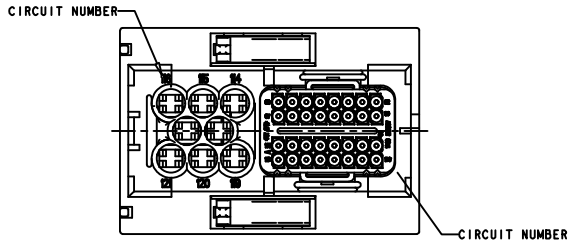


TABLE-1

CONTACT	MOS		JPT		
PART NUMBER	5-968220-1	5-968221-1	964282-2	964286-2	964273-2
WIRE SIZE (mm ²)	0.5	0.75	0.2-0.5	0.5-1.0	>1.0-2.5

- PART NUMBER OF LEVER ASSEMBLY TO BE APPLIED ;
P/N 1473255-1, -2, -3
- PART NUMBER OF MOS RETAINER TO BE APPLIED ;
P/N 368388-1
- APPLIED TERMINAL ; SEE TABLE-1
- PART NUMBER OF CAP HOUSING TO BE MATED ;
P/N 1241434-1, 1746979-1
- INSTRUCTION SHEET NO ; 411-78008

2	2	PA66	SLIDER	BLACK	7
1	1	PBT	JPT RETAINER	YELLOW	6
1	1	SILICONE	PERIPHERAL SEAL	ORANGE	5
-	1	PBT	SEAL RETAINER	BLACK	4
-	1	SILICONE	32POS FAMILY SEAL	ORANGE	3
1	1	PBT	MAIN CAVITY BLOCK	BLACK	2
1	1	PA66	FRONT CAVITY BLOCK	BLACK	1
-2	-1	MATERIAL	PART NAME	FINISH/COLOR	NO

DONGGUAN RUIYI ELECTRONIC CO., LTD.

UNIT	SHEET	ISSUING DATE	TITLE:	
mm	1 of 1		PLUG HOUSING ASSY SEALED 40POS. LUG HSG MOS CLEAN BODY/JP	
DRAWN BY	APPROVED BY	APPROVED BY	DATE	CUSTOMER
GENERAL TOLERANCE			2021-12-09	
X.X±0.8 X.XX±0.5 X.XXX±0.3		PROJECTION ⊕	DRAW NO.:	REV.
			1-1473252-1	A0